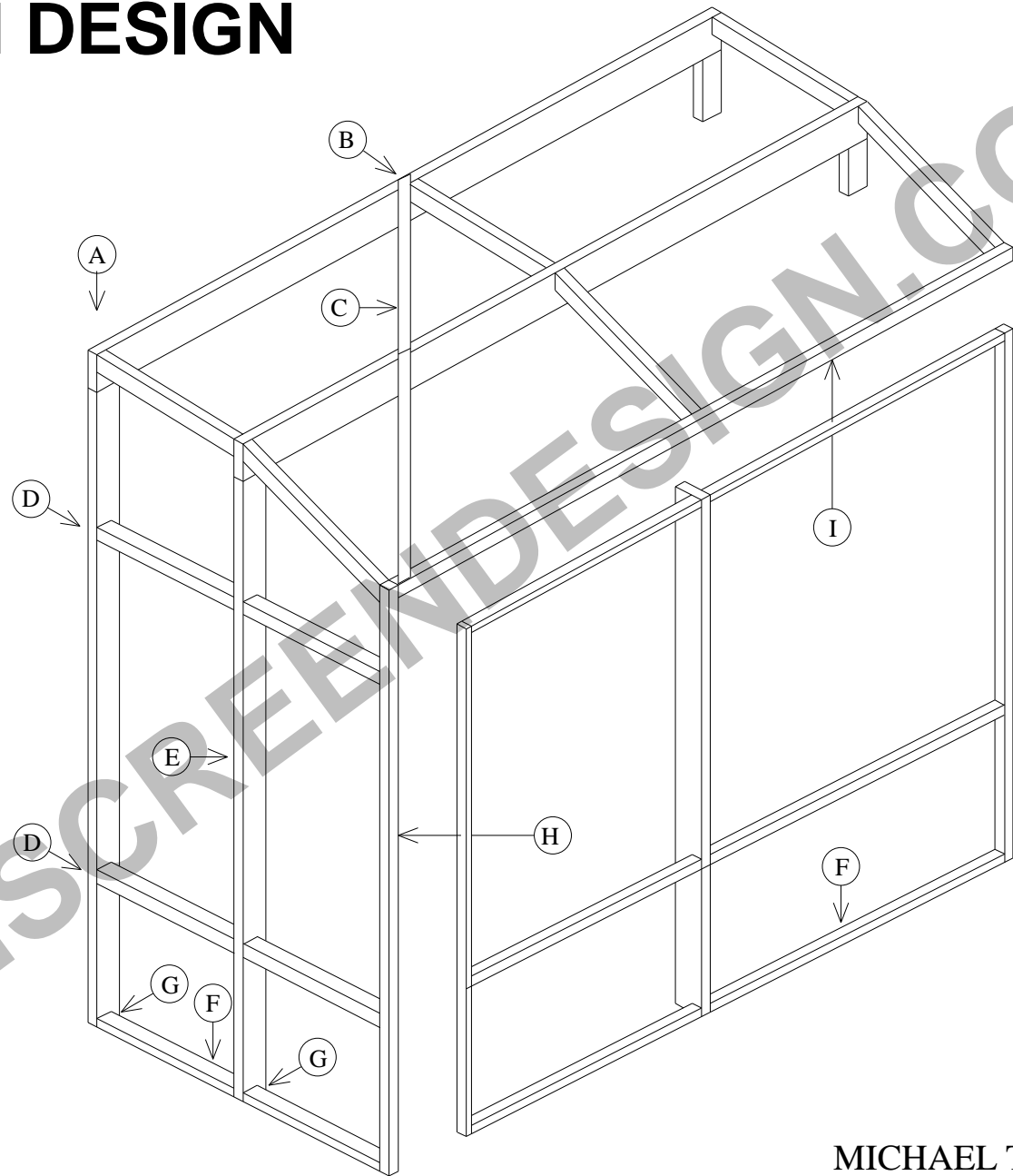


ALUMINUM SCREEN DESIGN



- (A) ROOF BEAM IS ATTACHED TO UPRIGHT WITH 9 #10 1" PER SIDE
- (B) 2X2 PURLINS WILL BE BLIND SCREWED INTO EMBOSS WITH 3 #10 3" MINIMUM
- (C) 1X2 WIND BRACE ATTACHED WITH 2 #10 1" PER SIDE
- (D) GIRTS AND CHAIR RAILS BLIND SCREWED INTO 2X2 EMBOSSE WITH 3 #10 3" OR CAPRI CLIPPED (CAPRI CLIP IS 1X1 ANGLE 1/8TH THICK) TOP AND BOTTOM WITH 3 #10 1" SMS
- (E) UPRIGHT UP TO 13' 11" AND BEAM STITCHED TOGETHER WITH #10 1" SMS 24" O.C. 6" FROM ENDS
- (F) 2-1/4" TAPCON THROUGH 1X2 BOTTOM PLATE 6" FROM UPRIGHT 24" O.C.
- (G) 2X2 1/8 ANGLE SCREWED INTO BEAM WITH 2 #10 1" SMS AND INTO WITH 1 2/1/4X1/4 TAPCON ON EACH SIDE OF THE UPRIGHTS
- (H) 1"X2" IS GOING TO BE SCREWED INTO 2"X2" WITH #10 2" 24" O.C. 6" FROM TOP AND BOTTOM
- (I) 1"X2" TOP PLATE SCREWED INTO ROOF SIDE WALL BEAM WITH #10 2" 24" O.C. 6" FROM ENDS

ALUMINUMSCREENDESIGN.COM
ALUMINUMSCREENDESIGN
@YAHOO.COM

DESIGN STATEMENT

METAL IS .046 THICKNESS OR GREATER ALLOY IS 6005 T-5 UPRIGHTS

PHONE #: 407-734-1470

FAX #: 888-923-8181

THIS STRUCTURE HAS BEEN DESIGNED IN ACCORDANCE TO MEET THE REQUIREMENTS OF THE 2023 (8th EDITION) OF THE FLORIDA BUILDING CODE FOR OPEN AND SEMI-OPEN STRUCTURES AND SHALL WITHSTAND BASIC WIND SPEEDS OF 130 MPH (FOR 3 SECOND GUSTS) UP TO A 15FT ROOF HEIGHT, FACTOR OF 1.0, AND EXPOSURE B. CATEGORY 1 CONTRACTOR SHALL FIELD VERIFY ALL PLANS DIMENSIONS PRIOR TO MATERIAL PURCHASE, FABRICATION AND CONSTRUCTION CONTRACTOR SHALL NOTIFY THE ENGINEER IMMEDIATELY SHOULD SITE DIFFER FROM CONSTRUCTION PLANS

MICHAEL THOMPSON
4401 VINELAND RD.
SUITE A6 ORLANDO,
FL 32811 P.E. # 47509